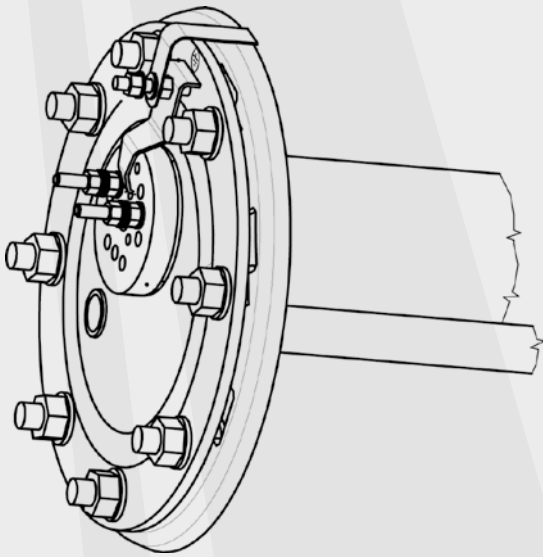


BE-SSPK SOLAR HOT WATER TANK

BE-SSPK ACCESSORIES



NEH 2200 Electric retrofit kit

Replacement unit for retrofitting additional electric heating. The unit is made up of: flange plate, seal, ceramic heating element, sensor sleeve and magnesium anode. Includes a fitting lid with built-in control unit.

Specifications

Type	NEH 2200
Item no.	1610203
Performance	2.2 kW
Wiring	1 PE-N AC 230 V/50 Hz
Installation length	410 mm
Weight	5 kg
Suitable for	BE-SSPK 80, 125, 160, 200
Protection class	IP 44

