

STRATIFIED TANK ACCESSORIES

POLYESTER FIBRE FLEECE INSULATION



Polyester fibre fleece insulation for Pro-Clean® and Pro-Heat Solar Stratified Tank

The outer shell is made of hard synthetic polystyrene sheeting, which is 1 mm thick with a grey (RAL 9022) textured surface. The inner insulation shell is made of polyester fibre fleece. The three-part shell is assembled using adjustable clip locking rails. Including lid and base insulation as well as EPS sealing plugs. Entire insulation: fire resistance class B1, CFC-free and 100% recyclable.

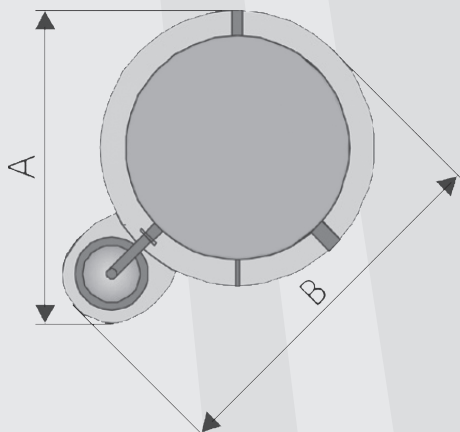
Specifications

Property	Test method	Value	Unit
Density	-	27	kg/m ³
Long-term service temperature	-	130	°C
Fogging behaviour	DIN 75201 B	0,3	mg
Formaldehyde emission	VDA 275	< 2	mg/kg
Fire test	DIN 75200	< 100	mm/min
Fire resistance class	DIN 4102	B1	-
Fire resistance class in a compound	DIN 4102	B1	-
Continuous connection temperature	-	max. 130	°C
Colour	-	white	-
Thermal conductivity coefficient of the insulation	-	0,035	W/mK

Dimensions

Type	ISOVS-PCH 500	ISOVS-PCH 800	ISOVS-PCH 1000B	ISOVS-PCH 1000S	ISOVS-PCH 1250	ISOVS-PCH 1500
Item no.	1610535	1610536	1610537	1610538	1610539	1610540
Dimension A	1,020 mm	1,105 mm	1,180 mm	1,140 mm	1,235 mm	1,320 mm
Dimension B	1,175 mm	1,280 mm	1,380 mm	1,320 mm	1,440 mm	1,540 mm
Thickness	100 mm	100 mm	100 mm	100 mm	100 mm	100 mm

Type	ISOVS-PCH 2000	ISOVS-PCH 2500	ISOVS-PCH 3000	ISOVS-PCH 4000	ISOVS-PCH 5000
Item no.	1610541	1610542	1610543	1610544	1610545
Dimension A	1,400 mm	1,600 mm	1,540 mm	1,840 mm	1,840 mm
Dimension B	1,640 mm	1,840 mm	1,800 mm	2,140 mm	2,140 mm
Thickness	100 mm	100 mm	110 mm	110 mm	110 mm



PRO-CLEAN® 2WR POLYESTER FIBRE FLEECE INSULATION



Polyester fibre fleece insulation for Pro-Clean® 2 WR solar stratified tank

The outer shell is made of hard synthetic polystyrene sheeting, which is 1 mm thick with a grey (RAL 9022) textured surface. The inner insulation shell is made of polyester fibre fleece. The three-part shell is assembled using adjustable clip locking rails. Including lid and base insulation as well as EPS sealing plugs. Entire insulation: fire resistance class B1, CFC-free and 100% recyclable.

Specifications

Property	Test method	Value	Unit
Density	-	27	kg/m ³
Long-term service temperature	-	130	°C
Fogging behaviour	DIN 75201 B	0,3	mg
Formaldehyde emission	VDA 275	< 2	mg/kg
Fire test	DIN 75200	< 100	mm/min
Fire resistance class	DIN 4102	B1	-
Fire resistance class in a compound	DIN 4102	B1	-
Continuous connection temperature	-	max. 130	°C
Colour	-	white	-
Thermal conductivity coefficient of the insulation	-	0,035	W/mK

Dimensions

Type	ISOVS-PC 2W 1500	ISOVS-PC2W 2000	ISOVS-PC2W 2500	ISOVS-PC2W 3000	ISOVS-PC2W 4000	ISOVS-PC2W 5000
Item no.	1610546	1610547	1610548	1610549	1610550	1610551
Dimension A	1,320 mm	1,400 mm	1,600 mm	1,540 mm	1,840 mm	1,840 mm
Dimension B	1,540 mm	1,640 mm	1,840 mm	1,800 mm	2,140 mm	2,140 mm
Thickness	100 mm	100 mm	100 mm	110 mm	110 mm	110 mm

