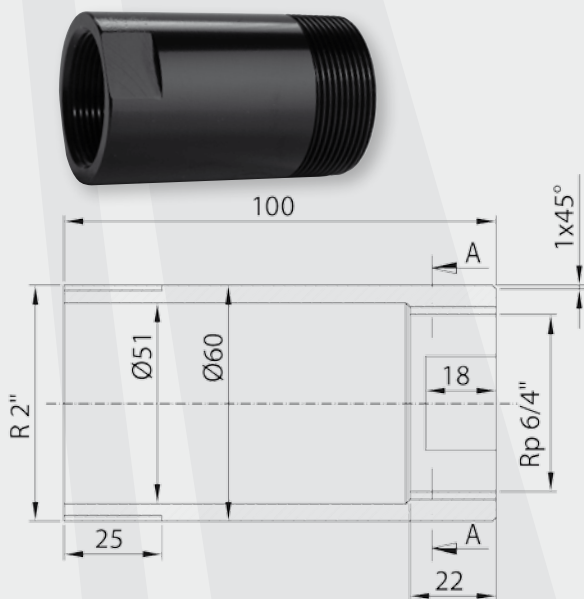


TANK ACCESSORIES

EXTENSION SLEEVE



VM extension sleeve

for EHH electric screw-in heating element

For installation of an electric screw-in heating element in a Pro-Clean®, Pro-Heat or FS tank. EPD-coated.

Specifications

Type	VM
Item no.	1610609
Material	S 235 JR

BOILER THERMOSTAT



Boiler thermostat

Boiler thermostat for floating switching of an external consumer, installed in a hot water tank with thimble and open/close contact. Control range 30-90 °C.

Specifications

Type		BT 210	BT 100
Item no.		1610318	1610320
Control unit housing	Material	synthetic resin	
	Max. temperature	55 °C (approx.)	
	Protection class	IP 40	
	Strain relief	provided (cable clip in housing)	
Thimble	Dimensions (D x W x H)	45 mm (without control unit button)/55 mm/86 mm	
	Material	tin-plated copper	
	Total length	210 mm	100 mm
	Tube length	190 mm	80 mm
Thermostat	Thread	R 1/2"	
	Spanner size	22	
	Cable inlet	rubber grommet	
	Control range	30-90 °C	
	Switch power 250 V	16 (8) A	
	Switch power 400 V	16 (4) A	
	Terminal clamps	3 pieces using (enclosed) screws	
	Sensor	capillary tube sensor 300 mm	
	Contact	1 opener and 1 closer	

