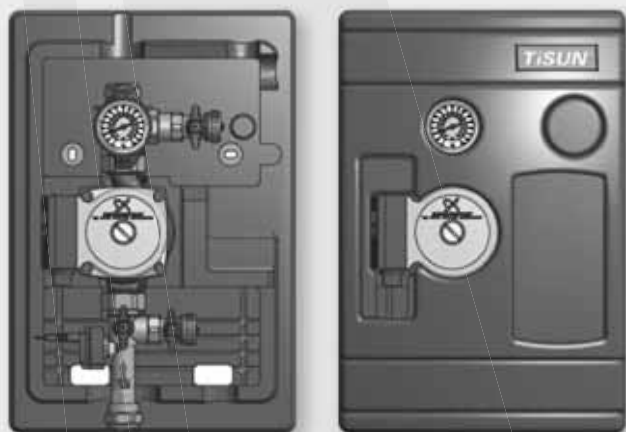


SOLAR STATIONS

SOLAR STATION EXPANSION MODULE SES25/SES50/SESH50



Solar station expansion module SES25 with pump 15-60 and VFS sensor (max. 25 m² collector surface area)

Solar station expansion module SES50 with pump 15-70 and VFS sensor (max. 50 m² collector surface area)

Solar station expansion module SESH50 with high efficiency pump PM 15-85 and VFS sensor (max. 50 m² collector surface area)

Single-line expansion module (return flow system) for East-West systems or additional tanks, consisting of Grundfos Solar circulation pump, measuring section with integrated VFS flow and temperature sensor, multi-functional isolation valve with thermometer and integrated metal gravity brake (adjustable by 45° setting of thermometer control), filling and flushing connections with KFE valve, connection points with solar flat seals, wall mount, solar connections with compression fittings, EPP heat insulation jacket.

Specifications solar station SES25/SES50/SESH50

Illustration Item no.	Item no./type	1510425 / SES25 1510426 / SES50	Single-line solar station with pump, flow and temperature sensor
		1510428 / SESH50	Single-line solar station with high-efficiency solar pump, flow and temperature sensor
1	Solar circulation pump	SES25 SES50 SESH50	Grundfos Solar 15-60/G 1 x 130 mm Grundfos Solar 15-70/G 1 x 130 mm Grundfos Solar PM 15-85/G 1 x 130 mm
2	Pump cable	Pump cable with Molex plug (H03V2V2)	
3	Collector connection	KVSR 22 mm (nut M28 x 1.5/compression ring 22 mm)	
4	Tank connection	KVSR 22 mm (nut M28 x 1.5/compression ring 22 mm)	
5	Support sleeve set	2 pcs.	For Cu pipe 22 x 1 mm
6	Filling and flushing connections	Safety group Measuring section sensor	G 3/4" with sealing cap and solar KFE valve 1/2" G 3/4" with sealing cap and solar KFE valve 1/2"
7	Bracket for wall and tank mounting	Wall mounting	2 slot holes with 150 mm centres, for M6 screws
8	Retaining clip	Spring steel 2 mm (for fixing forward and return flow to mounting)	
9	Fixing material	For wall mounting	2 pcs. plastic anchors 8 x 40 mm 2 pcs. chipboard screws 6 x 50 (pan-head)

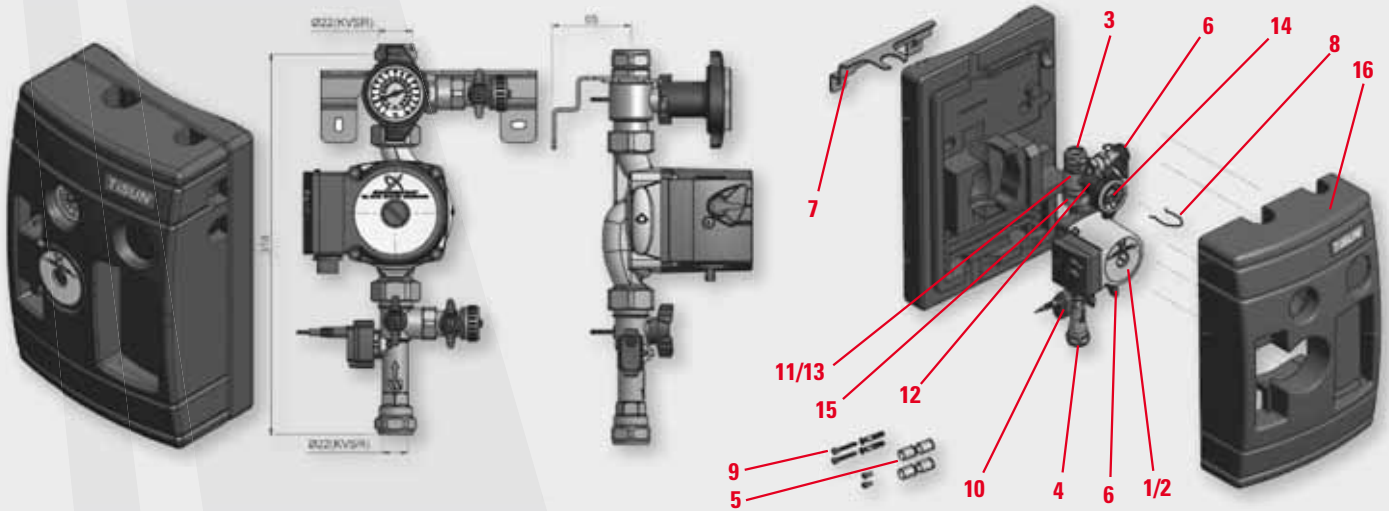
SOLAR STATION EXPANSION MODULE SES25/SES50/SESH50

10	Flow and temperature sensor with measuring section (instead of flow meter)	Type	SES25	VFS 1-12 sensor		
			SES50	VFS 2-40 sensor		
			SESH50	VFS 2-40 sensor		
		Measuring section material	Brass, Grivory, PPS			
		Seal material	EPDM			
		Nominal size	SES25	DN 15		
			SES50	DN 20		
			SESH50	DN 20		
		Flow measuring range	SES25	1–12 litres/min		
			SES50	2–40 litres/min		
SESH50	2–40 litres/min					
Temperature measuring range	SES25	0 °C–100 °C				
	SES50	0 °C–100 °C				
	SESH50	0 °C–100 °C				
Output voltage	SES25	0.5–3.5 V (proportional to 1–12 litres/min/0 °C–100 °C)				
	SES50 SESH50	0.5–3.5 V (proportional to 2–40 litres/min/0 °C–100 °C)				
Max. pressure	10 bar (15 bar short-term)					
Temp. min/max	-25 °C/120 °C					
Voltage supply	5 VDC					
Upper connection	G1" flat sealing					
Lower connection	KVSR 22 mm/M28 x 1.5					
Installation height	86 mm					
11	Multi-functional return valve group	Multi-functional valve group with ball valve, gravity brake and thermo control, connection at right for safety group				
		Ball valve	22 mm			
12	Thermo control	Connections	Solar: 22 mm KVSR			
			Pump: 1" flat sealing			
13	Gravity brake		3/4" flat sealing, with dummy plug (for safety group, expansion tank, ...)			
		Operating element	Thermo control blue L = 52R, operates ball valve and gravity brake			
		Return	Installed in multi-functional return ball valve			
		Material	Brass			
		Seal	O-ring 70 EPDM 291			
14	Solar dial thermometer	Opening pressure	2 x 200 mm WC (by means of metal spring)			
		Adjustable	by 45° setting of thermo control			
		Max.temp.	180 °C			
15	Pump flat seals	Return	Installed in return thermo control			
		Scale	0–160 °C in 2 °C divisions			
		Diameter	50 mm			
		Length	52 mm			
		Return colour	Silver RAL 9006			
16	Insulation	Size	30 x 22 x 2 - 1"			
		Material	AFM 34 light grey			
		Continuous temperature	Liquid 250 °C, vapour 200 °C			
		Short-term peak temp.	400 °C			
16	Insulation	Material	EPP			
		Thermal conductivity (λ)	0.041 W/(mK)			
		Max.temp	120 °C			
		Short-term temp.	150 °C			
		Height	400			
		Width	320 mm			
		Depth	175 mm			
		Individual parts	1 pc.	Lower shell	400 x 250 x 45	
			1 pc.	Upper shell	400 x 250 x 130	

SOLAR STATIONS

SOLAR STATION EXPANSION MODULE SES25/SES50/SESH50

Illustrations solar station SES25/SES50/SESH50



SES25/SES50/Pressure drop and residual head solarstation SESH50

